

CAMERICH

MALAYSIA

NEW BALLET CHAIR



Technical Specifications:

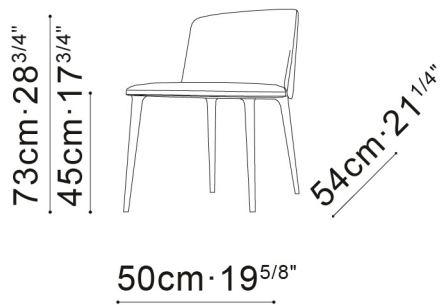
- Wider seat as compared to Ballet Chair
- Metal backrest is covered with rubber and integrally-molded polyurethane foam
- Rubber armrests allow for slight adjustment in firmness
- Metal seat frame is constructed with plywood reinforcement, paired with cross-woven elastic webbing, and covered with integrally-molded polyurethane foam
- Steel legs are finished in black metallic paint and capped with plastic glides
- Available in fabric or leather - covers are not removable
- Available with or without arm
- 360 ° swivel base available

CAMERICH

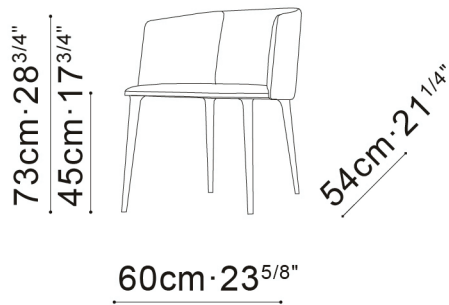
MALAYSIA

NEW BALLET CHAIR

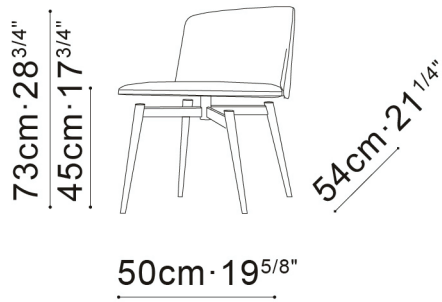
C02F0303.



C02F0304.



C02F0305.



C02F0306.

